
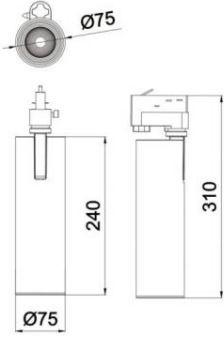
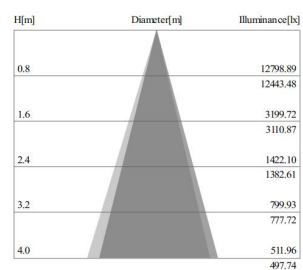
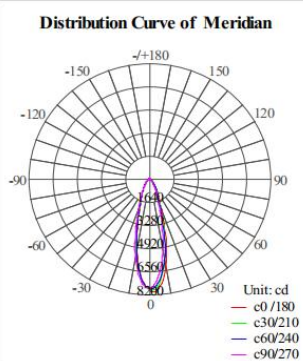




ALIGHT

COB LED Solution Company Since 2008

Type of luminaire		commercial track light																																	
Set model No.		AL-TL0628-M																																	
Image photo		Dimension and materials																																	
																																			
Type of light source	CREE 1820	Lamp diameter 75mm																																	
Dimming	—	Weight 1.1KG																																	
Dimming range		Body Aluminium																																	
Power input	28W	Reflector Aluminium																																	
Power voltage	220V	Photometric chart																																	
Input frequency	50/60Hz	<p style="text-align: center;">Illumination Cone Curve</p>  <table border="1"> <thead> <tr> <th>H[m]</th> <th>Diameter[m]</th> <th>Illuminance[lx]</th> </tr> </thead> <tbody> <tr><td>0.8</td><td></td><td>12798.89</td></tr> <tr><td>1.6</td><td></td><td>12443.48</td></tr> <tr><td>2.4</td><td></td><td>3199.72</td></tr> <tr><td>3.2</td><td></td><td>3110.87</td></tr> <tr><td>4.0</td><td></td><td>1422.10</td></tr> <tr><td></td><td></td><td>1382.61</td></tr> <tr><td></td><td></td><td>799.93</td></tr> <tr><td></td><td></td><td>777.72</td></tr> <tr><td></td><td></td><td>511.96</td></tr> <tr><td></td><td></td><td>497.74</td></tr> </tbody> </table> <p style="text-align: center;"> ■ CO-C180 ■ C90-C270 </p> <p style="text-align: center;">Distribution Curve of Meridian</p>  <p style="text-align: right;">Unit: cd</p> <ul style="list-style-type: none"> — c0/180 — c30/210 — c60/240 — c90/270 	H[m]	Diameter[m]	Illuminance[lx]	0.8		12798.89	1.6		12443.48	2.4		3199.72	3.2		3110.87	4.0		1422.10			1382.61			799.93			777.72			511.96			497.74
H[m]	Diameter[m]		Illuminance[lx]																																
0.8			12798.89																																
1.6			12443.48																																
2.4			3199.72																																
3.2			3110.87																																
4.0			1422.10																																
			1382.61																																
			799.93																																
			777.72																																
		511.96																																	
		497.74																																	
Driver	Integrated																																		
IP rating	IP20																																		
Beam angle	27°																																		
System lumen out put	2392 lm																																		
System efficacy	90 lm/W																																		
CCT	2700K-6500K																																		
CRI	80																																		
Life time	50000																																		
Brand	ALIGHT																																		
Country of origin	China																																		
Remarks																																			